

G2650 Cabinet Lock

Features

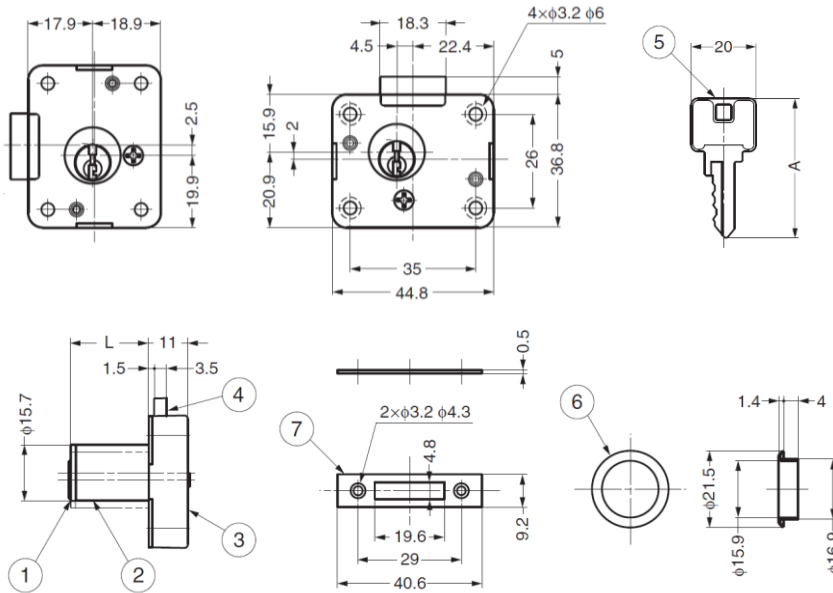
- For drawers and cabinet door application
- **G2650-16:** 48 key changes
- **G2650-22 / G2650-30:** 120 key changes
- 48 key numbers can be shared with the entire **G2650 Lock Series**
- Gold finish is available on request

Parts Included

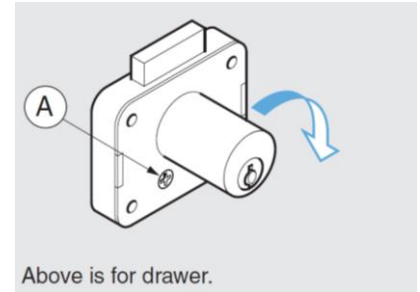
- Countersunk head wood screw 3.1×20, 2.1×10

Optional Parts

- Spacer **GTSSP**

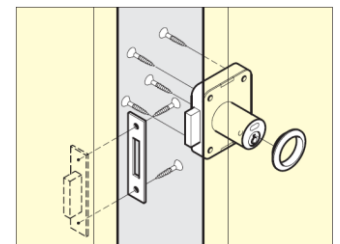
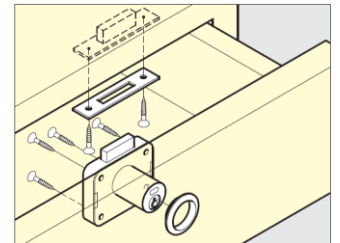


How to Switch: For Drawer / Right Handed Door Application



Above is for drawer.

- ① Remove the screw (A)
- ② Turn the lock cylinder 90° (clockwise for door application)
- ③ Fix the screw in (B)
- ④ The logo is to be forwarded upside



No.	Part Name	Material	Finish
①	Cylinder (Inner)	Zinc Alloy (ZDC)	Nickel
②	Cylinder (Outer)	Brass	Nickel
③	Body	Zinc Alloy (ZDC)	Nickel
④	Dead Bolt	Zinc Alloy (ZDC)	Nickel
⑤	Key	Brass	Nickel
⑥	Ring	Brass	Nickel
⑦	Strike	Brass	Plain

Part No.	Key Type	Cylinder Diameter	Door Thickness	L	A
G2650-16-DN-B	Keyed Differently	Ø 18	26	16	38
G2650-16-DN-D	Keyed Alike				
G2650-22-DN-B	Keyed Differently		22	22	42
G2650-22-DN-D	Keyed Alike				
G2650-30-DN-B	Keyed Differently		30	30	
G2650-30-DN-D	Keyed Alike				